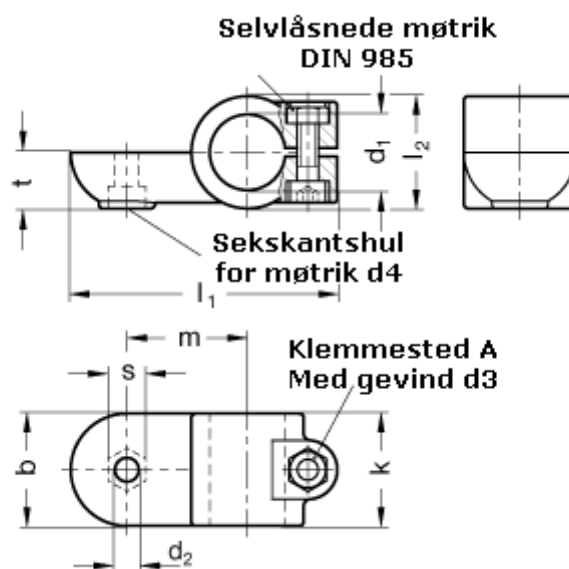


Article number: 20278B25MZ2SW

Description: E+G Swivel clamp connector  
GN278-B25-MZ-2-SW

## Measures



|             |            |
|-------------|------------|
| $b = 40$    | $m = 43$   |
| $d_1 = B25$ | $s = 13.0$ |
| $d_2 = 8.5$ | $t = 20.0$ |
| $d_3 = M 8$ |            |
| $d_4 = M 8$ |            |
| $k = 40$    |            |
| $l_1 = 95$  |            |
| $l_2 = 40$  |            |